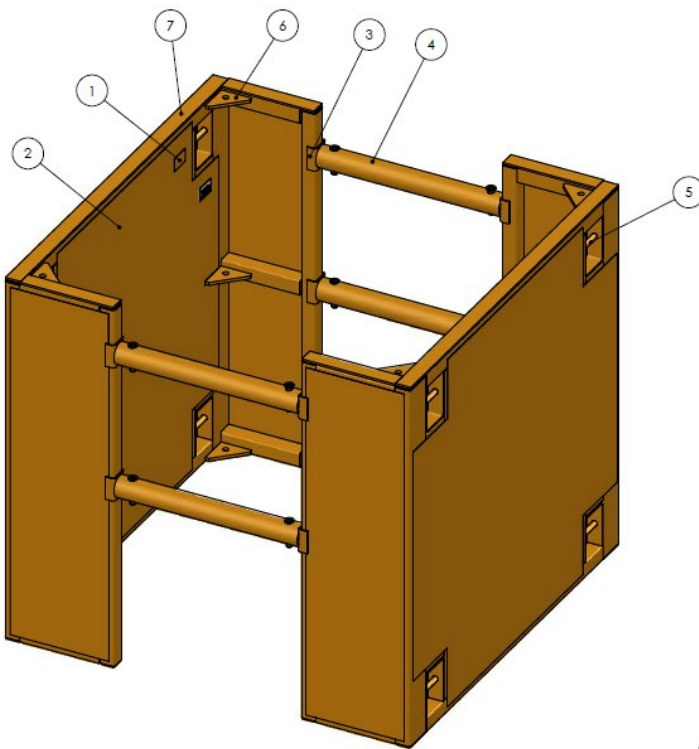


SQUARE AND ROUND MANHOLE SHIELDS

Pacific Shoring's square and round manhole shields are available in various heights and lengths with the option of a flat bottom or knife edge. Our square manhole shields are certified by a registered professional engineer and are designed to meet or exceed OSHA safety requirements.

Pacific shoring standard square manhole shields come equipped with reinforced lift eyes, stacking pockets, and tabulated data. Our customer square manhole comes equipped with a removable cut-out door that can be fabricated in a 36" or 48" option. Other custom upgrades and accessories are also available upon request.



1. XTERRA CERTIFICATION NAME PLATE
2. HIGH-TENSILE STEEL CONSTRUCTION
3. 4" HEAVY-DUTY SPREADER SOCKETS
4. 5" HEAVY-DUTY PIPE SPREADER

