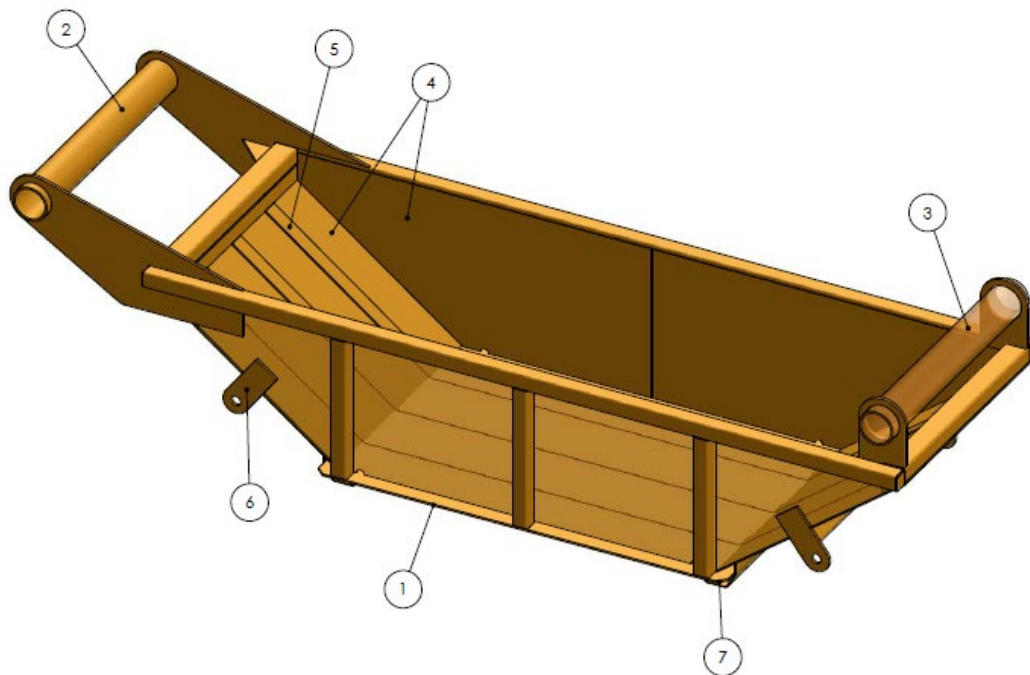


## BEDDING BOXES

Pacific Shoring's standard and heavy-duty Bedding Boxes are designed and manufactured with high tensile steel to assure value and durability.

Steel plating on the bottom and ends of each bedding box minimizes routine wear and tear from everyday use on the job site. Each bedding box has a lifting or pulling lugs as a standard feature, and optional drag bars can be ordered to optimize handling. Pacific Shoring offers a variety of different sizes that range from 2 to 15 cubic yards and can be manufactured in standard and heavy duty.

No Matter the size of your job, Pacific Shoring has you covered. Contact our distributor for more information.



1. 1/2" STEEL BOTOM PLATE
2. HEAV- DUTY FULLY WELDED LIFT BAR
3. HEAVY-DUTY FULLY WELDED DRAG BAR  
(AVAILABLE UPON REQUEST)
4. 1/4" OR 3/8" HIGH TENSILE SIDE WALLS  
AND SLOPED ENDS

5. FULL LENGHT WEAR PLATES ALONG  
BOTTOM AND SLOPED ENDS
6. HEAVY DUTY PULLING EYES FRONT AND BACK
7. REINFORCED SKID PLATE